


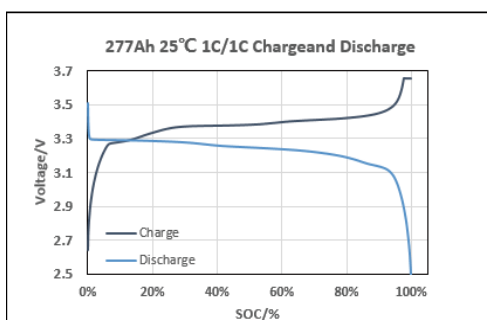
## Premium Lithium Cell

# EP-LFP-277Ah

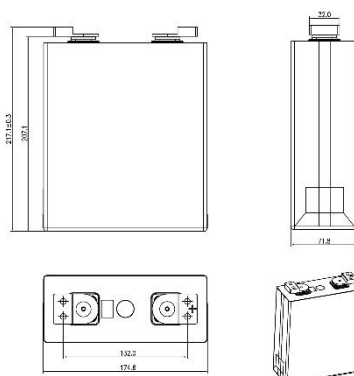
- Holistic safety concept of cell.
- Outstanding cycle life with maximum reliability.
- Continuously improved energy density through new materials and light weighting technology.
- Modular design for various applications and easy upgrade to next generations.
- Standardized cell format.

Item	Specification	
	Dimension (Welding terminal)	71.8mm x174.6mm x207.1mm
	Dimension (Screw terminal)	71.8mm x174.6mm x217.1mm
	Weight	Max. 5350g
	Min. capacity	277Ah (0.5C) @ 25°C
	Min. energy	891Wh (0.5C) @ 25°C
	SOC window	10 ~ 90%
	Terminal	Welding/Screw terminal
	Impedance (1kHz)	0.4 mΩ
Voltage	Max.	3.65 V
	Nominal	3.20 V
	Min.	2.50 V
Current	Maximum continuous charge	277 A
	Maximum sustained discharge	277 A
Energy density	Gravimetric	164 Wh/kg
	Volumetric	357 Wh/L
Temp. Condition	Operation (Charge)	0 ~ 55°C
	Operation (Discharge)	-20 ~ 55°C
	Storage	-20 ~ 55°C
Self-Discharge Rate	50% SOC and storage at 25±2°C for 3 months	≤3%
Cycle Life	1C/1C, 80% DOD 25°C	3,000 cycles
Service Life	35°C average temperature	5 years
Abuse test	Overcharge, Over-discharge, Short, Heat	GB/T 31485-2015

### Charge and discharge curve



### Dimension



### Certification

